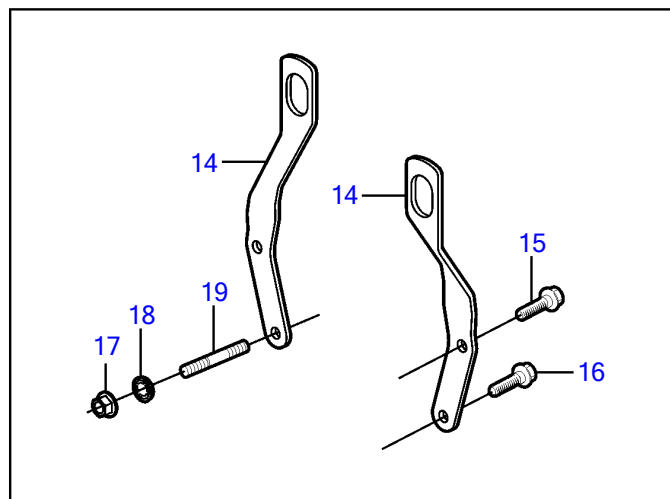
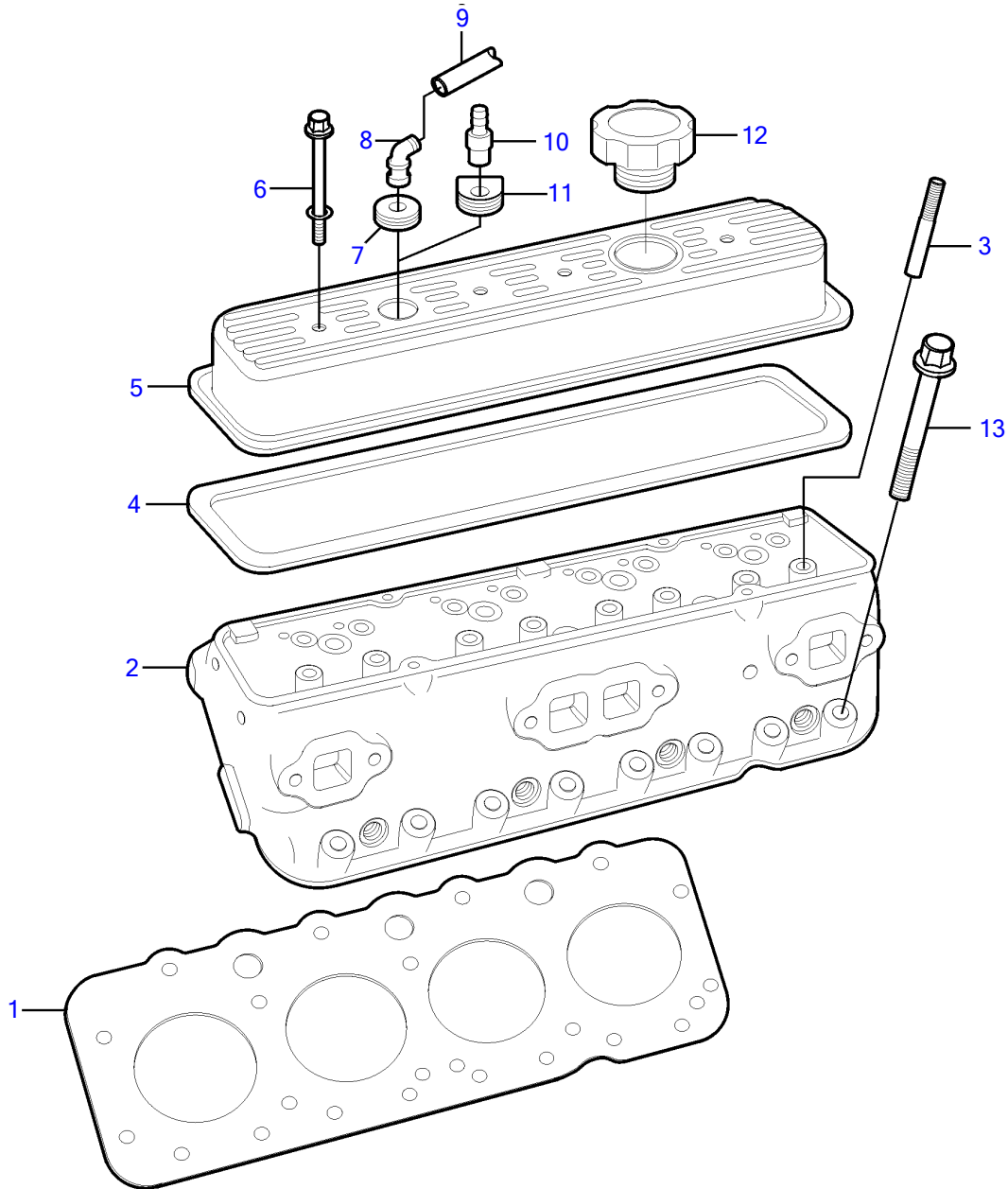


5.7Gi-B, 5.7Gi-BF, 5.7GXi-C, 5.7GXi-CF, 5.7GiI-B, 5.7GXii-C, 5.7OSi-A, 5.7OSi-AF, 5.7OSXi-A, 5.7OSXi-AF



18614

5.7Gi-B, 5.7Gi-BF, 5.7GXi-C, 5.7GXi-CF, 5.7Gii-B, 5.7GXii-C, 5.7OSi-A, 5.7OSi-AF, 5.7OSXi-A, 5.7OSXi-AF

REF	PART NO.	QTY	DESCRIPTION	NOTES
1	3853380	2	Cylinder head gasket	
2	3856929	2	Cylinder head	
3		16	• Stud	
	(3853146)	1	Stud	O.S=0.003" (0.076mm), Obsolete part
	(3853147)	1	Stud	O.S=.013" (0.330mm), Obsolete part
4	3852687	2	Gasket	
5	3856928	1	Valve cover	Starboard
	3862264	1	Valve cover	Port
6	3856135	8	Bolt	
7	3852103	1	Grommet	
8	3852104	1	Elbow	
9	3852435	1	Hose	
10	3861989	1	Valve	Crankcase ventilation
11	3862296	1	Grommet	
12	3854008	1	Oil filler cap	
13	3856122	14	Bolt	L=3 51/64" (96mm)
	3856123	4	Bolt	L=3 1/16" (78mm)
	3856124	16	Bolt	L=1.62" (41mm)
14	3860406	2	Bracket	
15	3853266	1	Flange screw	
16	(3853557)	1	Flange screw	Obsolete part
17	3853404	2	Nut	
18	3860538	2	Spring clip, speed	
19	(3860477)	2	Stud	Obsolete part